



6 DRAWER HANG-ON CHEST - HEAVY DUTY

MODEL NO: **PTB40506.V2**

Thank you for purchasing a Sealey product. Manufactured to a high standard, this product will, if used according to these instructions, and properly maintained, give you years of trouble free performance.

IMPORTANT: PLEASE READ THESE INSTRUCTIONS CAREFULLY. NOTE THE SAFE OPERATIONAL REQUIREMENTS, WARNINGS & CAUTIONS. USE THE PRODUCT CORRECTLY AND WITH CARE FOR THE PURPOSE FOR WHICH IT IS INTENDED. FAILURE TO DO SO MAY CAUSE DAMAGE AND/OR PERSONAL INJURY AND WILL INVALIDATE THE WARRANTY. KEEP THESE INSTRUCTIONS SAFE FOR FUTURE USE.



Refer to instruction manual



Wear protective gloves

1. SAFETY

- WARNING!** Ensure Health & Safety, local authority, and general workshop practice regulations are adhered to when using this locker.
- ✓ Keep the work area clean, uncluttered and ensure there is adequate lighting.
- ✓ Keep the chest clean and tidy in accordance with good workshop practice.
- ✗ **DO NOT** use the chest for any purpose other than that for which it is designed.
- ✗ **DO NOT** step on the drawers.
- ✗ **DO NOT** overload the chest.
- ✗ **DO NOT** clean the chest with any solvents which may damage the surfaces or protective coating.

2. INTRODUCTION

Textured powder coat finish, both solvent and rust resistant. Ball bearing drawer slides provide superior performance and carry heavier loads, double sets on large drawers. All drawers have full width sand blasted aluminium 'Lift & Latch' drawer pulls, making easy access while preventing inadvertent opening when being moved. Non-slip drawer liners supplied for all drawers. Integral locking system locks all drawers with the turn of 1 key. Supplied with two keys. Hang-On chest suitable for heavy-duty Premier rollcabs.

3. SPECIFICATION

Model no.PTB40506.V2
Overall size (W x D x H).....405 x 460 x 885mm

4. ASSEMBLY

Refer to fig.1 and Parts Diagram

NOTE: Heavy item - get assistance to assemble.

NOTE: Minimum height of the rollcab top edge is 15mm and minimum depth of rollcab is 460mm.

- 4.1. **TOOLS REQUIRED:** 10mm socket, ratchet, crosshead screwdriver.
- 4.2. **INSTALL HANGER**
- 4.2.1. Attach with countersink screw (3).
- 4.3. **HANG CABINET fig.2**
- 4.3.1. Fit protection pads (5).
- 4.3.2. Hang on the rollcab top.

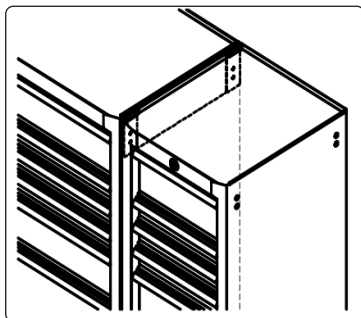
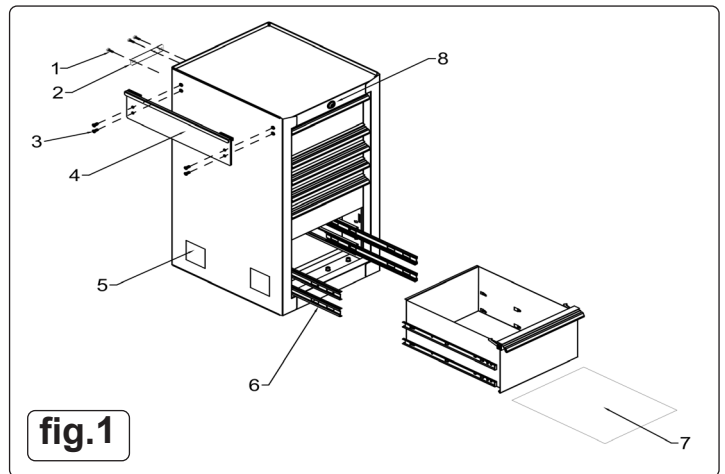


fig.2

ITEM	DESCRIPTION	QTY
1	M6x16mm hex bolt	3
2	Connector	1
3	M6x16mm countersink screw	4
4	Hanger	1
5	EVA pad	2
6	Slide Set	7 sets
7	Drawer liner	6
8	Lock	1

4.4. CONNECT THE CABINETS fig.3

- 4.4.1. Attach connecting piece (2) to locker with 2 x M6 x 16 hex head screw (1) and rollcab with 1 x M6 x M16 hex head screw (1).

5. OPERATION

5.1. RAISE AND RELEASE DRAWER FRONTS

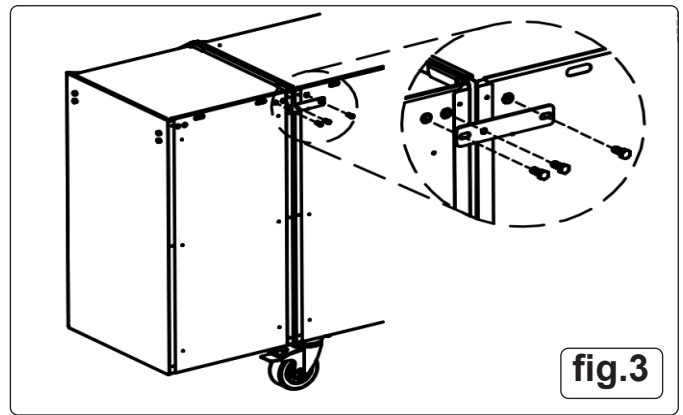
- 5.1.1. To open: lift up the drawer front whilst pulling towards you.
To close: push shut until the drawer closes.
- 5.1.2. If the drawer does not stay shut the hook may be bent or it may rub against the drawer sides. To fix lightly bend the hook engages in the slide (above).

5.2. TO REMOVE DRAWERS

- 5.2.1. Pull drawer out so it is almost fully extended. Pull up the right hand black release lever, whilst pushing down the left hand black release lever.
- 5.2.2. Whilst holding levers, as above, pull the draw outwards until it is released from the slides.

5.3. TO REPLACE DRAWERS

- 5.3.1. Extend drawer slides. Insert brackets on each side of the drawer into the slots in the cabinet slides, being careful that they are positioned properly. Once properly inserted, completely close the drawer to set the slides in their proper positions.



ENVIRONMENT PROTECTION

Recycle unwanted materials instead of disposing of them as waste. All tools, accessories and packaging should be sorted, taken to a recycling centre and disposed of in a manner which is compatible with the environment. When the product becomes completely unserviceable and requires disposal, drain any fluids (if applicable) into approved containers and dispose of the product and fluids according to local regulations.

Note: It is our policy to continually improve products and as such we reserve the right to alter data, specifications and component parts without prior notice.

Important: No Liability is accepted for incorrect use of this product.

Warranty: Guarantee is 12 months from purchase date, proof of which is required for any claim.

Sealey Group, Kempson Way, Suffolk Business Park, Bury St Edmunds, Suffolk. IP32 7AR



01284 757500



01284 703534



sales@sealey.co.uk



www.sealey.co.uk